



Komatsu Index

Cross reference Komatsu to Turbo International	page 2
Service kits by model	pages 4 - 7
Journal Bearings	see journal bearing section
Piston Rings	see piston ring section

Komatsu service kits by turbo model

Turbo Model	Kit page no.
KTR110A	4-5
KTR110G	4-5
KTR130	6-7



CROSS REFERENCE - Komatsu to Turbo International

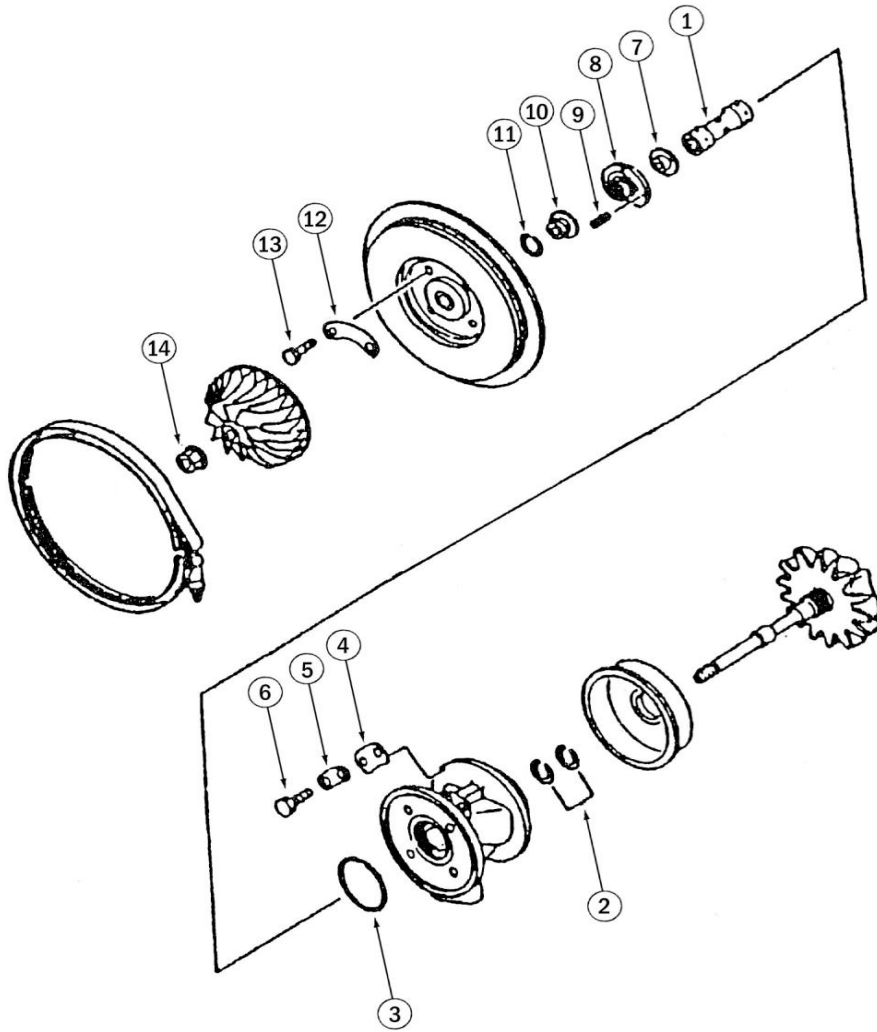
OEM Part No.	Turbo International Part No.	Description	Turbo Model Application
	7-L-2258	SERVICE KIT, MINOR	KTR 110A
	7-L-2259	SERVICE KIT, MINOR	KTR 130
	7-L-2268	SERVICE KIT, MINOR	KTR110G
	7-L-2296	SERVICE KIT, FULL with insert plate	KTR130
	7-L-2301	SERVICE KIT, MAJOR, with thrust bearing & collar	KTR130
	7-L-2351	SERVICE KIT, MAJOR, with thrust bearing & collar	KTR110A
	7-L-2958	SERVICE KIT	KTR110G
	7-L-3002	SERVICE KIT, MAJOR	KTR110G
	8-L-2244	JOURNAL BEARING, 10/10	KTR 110A
	8-L-2245	JOURNAL BEARING, 10/STD	KTR 110A
	8-L-2246	JOURNAL BEARING, STD/10	KTR 110A
	8-L-2252	JOURNAL BEARING, 10/10	KTR 130
	8-L-2253	JOURNAL BEARING, 10/STD	KTR 130
	8-L-2254	JOURNAL BEARING, STD/10	KTR 130
	8-L-2260	JOURNAL BEARING STD	KTR110G
	8-L-2261	JOURNAL BEARING 10/10	KTR110G
	8-L-2262	JOURNAL BEARING 10/STD	KTR110G
	8-L-2263	JOURNAL BEARING STD/10	KTR110G
	8-L-2264	O RING BRG.HSG.	KTR110G
	8-L-2265	PISTON RING T/E STD	KTR110G
	8-L-2266	PISTON RING C/END STD	KTR110G
	8-L-2267	THRUST BEARING	KTR110G
	8-L-2297	THRUST COLLAR	KTR130
	8-L-2298	THRUST RING	KTR130
	8-L-2299	INSERT PLATE	KTR130
	8-L-2300	LOCK PLATE, SEAL PLATE	KTR130
	8-L-2349	THRUST FLINGER	KTR110A
	8-L-2350	THRUST COLLAR	KTR110A
01010-30816	8-L-2358	BOLT, SEAL PLATE	KTR110A
01010-61016	8-L-2359	BOLT, T/END	KTR110A
07000-62055	8-L-2247	O RING, B/HSG	KTR 110A
07000-63095	8-L-2255	O RING, B/HSG	KTR 130
160002-0000		USE 118235-0000	
6501-51-0210	8-L-2956	THRUST COLLAR	KTR110G
6501-51-0251	8-L-2957	THRUST FLINGER	KTR110G
6502-12-1340	8-L-2256	PISTON RING C/END & T/END STD	KTR 130
6502-12-1620		USE 6502-14-1620	
6502-12-1630		USE 6502-12-1631	
6502-12-1631	8-L-2257	THRUST BEARING	KTR 130
6502-14-1300	7-L-2459	SEAL KIT	KTR 130
6502-14-1620	8-L-2251	JOURNAL BEARING, STD	KTR 130
6505-11-0110	8-L-2243	JOURNAL BEARING, STD	KTR 110A
6505-11-0150	8-L-2250	THRUST BEARING	KTR 110A
6505-11-0310	8-L-2248	PISTON RING T/E STD	KTR 110A
6505-11-0350	8-L-2249	PISTON RING C/END STD	KTR 110A



This page has been intentionally left blank

KTR110A

KTR110G





SERVICE KIT - Komatsu

KTR110A

Item no.	Description	TI Part no.	Qty/ Turbo	TI Kit no.	
				7-L-2258	7-L-2351
1	Journal bearing	8-L-2243	1	✓	✓
2	Piston ring, t/end	8-L-2248	2	✓	✓
3	O ring, brg. hsg.	8-L-2247	1	✓	✓
4	Clamp, t/end	-	4	-	-
5	Lockplate, t/end	-	4	-	-
6	Bolt, b/hsg. to t/end	8-L-2259	8	-	-
7	Thrust collar	8-L-2350	1	-	✓
8	Thrust bearing	8-L-2250	1	✓	✓
9	Retaining pin	-	1	-	-
10	Thrust flinger	8-L-2349	1	-	✓
11	Piston ring, c/end	8-L-2249	1	✓	✓
12	Clamp, s/plate	-	2	-	-
13	Bolt, seal plate	8-L-2258	4	-	-
14	Locknut	-	1	-	-

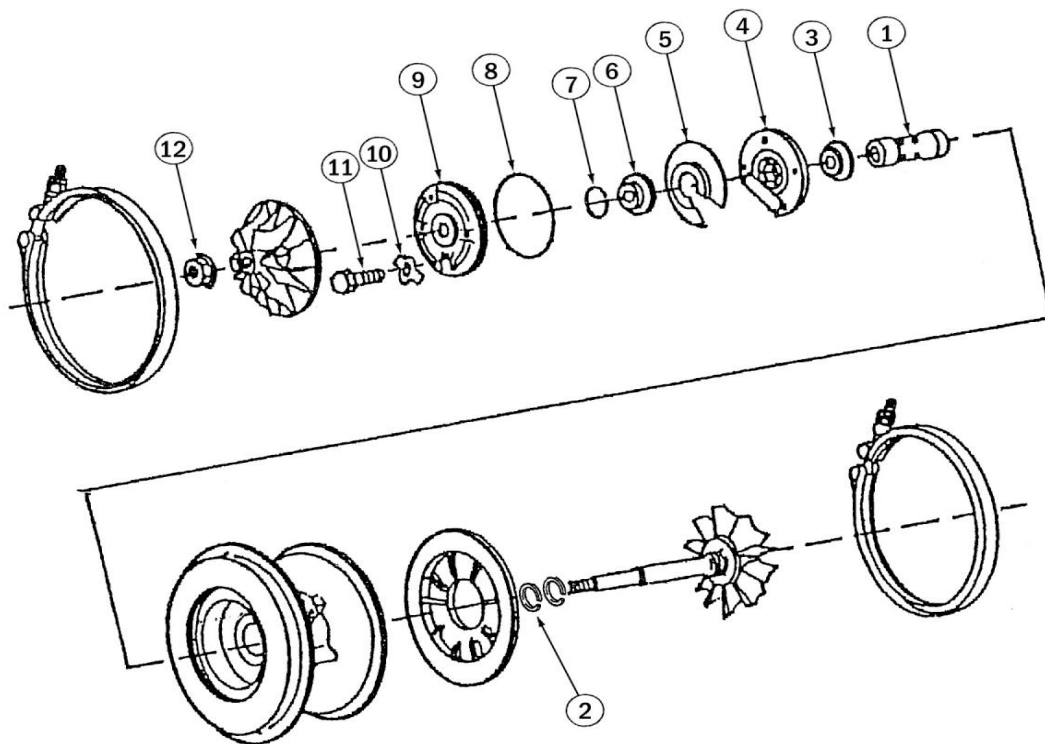
KTR110G

Item no.	Description	TI Part no.	Qty/ Turbo	TI Kit no.	
				7-L-2268	7-L-2958
1	Journal bearing	8-L-2260	1	✓	✓
2	Piston ring, t/end	8-L-2265	2	✓	✓
3	O ring, brg. hsg.	8-L-2264	1	✓	✓
4	Clamp, t/end	-	4	-	-
5	Lockplate, t/end	-	4	-	-
6	Bolt, b/hsg. to t/end	-	8	-	-
7	Thrust collar	8-L-2956	1	-	✓
8	Thrust bearing	8-L-2267	1	✓	✓
9	Retaining pin	-	1	-	-
10	Thrust flinger	8-L-2957	1	-	✓
11	Piston ring, c/end	8-L-2266	2	✓	✓
12	Clamp, s/plate	-	2	-	-
13	Bolt, seal plate	-	4	-	-
14	Locknut	-	1	-	-

See JOURNAL BEARING section for oversize & under-size parts - page 72

See PISTON RING section for oversize parts - page 73

KTR130





SERVICE KIT - Komatsu

KTR130

Item no.	Description	TI Part no.	Qty/ Turbo	TI Kit no.			
				7-L-2259	7-L-2301	7-L-2296	7-L-2459
1	Journal bearing	8-L-2251	1	✓	✓	✓	-
2	Piston ring, t/end	8-L-2256	2	✓	✓	✓	✓
3	Thrust collar	8-L-2297	1	-	✓	✓	-
4	Thrust bearing	8-L-2257	1	✓	✓	✓	-
5	Oil deflector	-					
6	Thrust ring/spacer	8-L-2298	1	-	✓	✓	-
7	Piston ring, c/end	8-L-2256	1	✓	✓	✓	✓
8	O ring, brg. hsg.	8-L-2255	1	✓	✓	✓	✓
9	Insert plate	8-L-2299	1	-	-	✓	-
10	Lockplate, insert	8-L-2300	4	-	✓	✓	-
11	Bolt, insert	-	4	-	-	-	-
12	Locknut	-	1	-	-	-	-

See JOURNAL BEARING section for oversize & under-size parts - page 72

See PISTON RING section for oversize parts - page 73



This page has been intentionally left blank